

Kentucky

State High School Basketball Tournament

LOUISVILLE, KY

*74th Boys'
Sweet Sixteen*

Official Statistics
Game Thirteen
Tates Creek vs. Holy Cross (Covington)

RUPP ARENA • LEXINGTON, KENTUCKY • MARCH 13-16, 1991 • \$2.00



OFFICIAL NCAA BASKETBALL BOX SCORE: *** FINAL ***

Date: 03-16-91 Site:Lexington, Ky.

VISITORS (Last Name, First)

NO.	HOLY CROSS(COVINGTON)	Tot FG		3-POINT		FT	FTA	Rebounds			PF	TP	A	TO	BLK	S	TIME
		FG	FGA	FG	FGA			OFF	DEF	TOT							
23	Houston, Todd	7	17	4	14	3	3	1	1	2	3	21	2	5	0	2	32:00
33	Cliff, Todd	0	0	0	0	0	0	0	1	1	0	0	0	0	0	0	1:40
41	McClendon, Andre	12	17	1	1	3	5	3	7	10	1	28	1	2	0	0	32:00
25	Goetz, Erik	4	6	3	5	0	0	0	0	0	2	11	8	6	0	0	32:00
35	Saalfeld, Brad	1	4	0	0	2	2	1	3	4	5	4	2	1	0	0	25:53
15	Miller, Corey	0	0	0	0	2	4	0	0	0	1	2	3	1	0	1	19:58
31	Hungler, Denny	0	1	0	0	0	0	0	1	1	3	0	0	0	0	0	13:49
11	McClendon, Tony	0	0	0	0	0	0	0	0	0	1	0	0	1	0	0	2:40
TEAM REBOUNDS (INCLUDED IN TOTALS)										1	1	1					
TOTALS		24	45	8	20	10	14	5	14	19	17	66	16	16	0	3	160

TOTAL FG 1st HALF 5/11 45.5% 2nd HALF 19/34 55.9% GAME 24/ 45 53.3% DEADBALL
 3-POINT FG 1st HALF 1/ 5 20.0% 2nd HALF 7/15 46.7% GAME 8/ 20 40.0% REBOUNDS 2
 FREE THROWS 1st HALF 2/ 2 100.0% 2nd HALF 8/12 66.7% GAME 10/ 14 71.4%

HOME (Last Name, First)

NO.	TATES CREEK	Tot FG		3-POINT		FT	FTA	Rebounds			PF	TP	A	TO	BLK	S	TIME
		FG	FGA	FG	FGA			OFF	DEF	TOT							
03	Horn, Darrin	8	11	0	1	1	2	1	6	7	3	17	4	3	0	2	29:53
30	Stuart, John M.	6	10	1	3	4	4	1	4	5	2	17	0	4	0	4	30:37
14	Henderson, Bill	3	4	0	0	0	4	4	5	9	3	6	1	2	0	0	19:58
20	Willard, Keith	6	10	0	0	0	2	0	0	0	2	12	2	0	0	0	27:47
23	Boone, Robbie	3	12	2	7	0	0	1	0	1	1	8	3	2	0	2	24:54
44	Wells, Brian	2	2	0	0	2	3	3	2	5	2	6	0	1	0	1	10:34
22	Burchett, Paul	2	4	1	3	0	0	0	0	0	1	5	3	1	0	0	11:19
33	O'Bryan, Chris	0	0	0	0	0	0	0	0	0	0	0	0	0	0	0	4:58
TEAM REBOUNDS (INCLUDED IN TOTALS)										1	1	1					
TOTALS		30	53	4	14	7	15	10	18	28	14	71	13	13	0	9	160

TOTAL FG 1st HALF 6/13 46.2% 2nd HALF 24/40 60.0% GAME 30/ 53 56.6% DEADBALL
 3-POINT FG 1st HALF 1/ 5 20.0% 2nd HALF 3/ 9 33.3% GAME 4/ 14 28.6% REBOUNDS 7
 FREE THROWS 1st HALF 0/ 0 0.0% 2nd HALF 7/15 46.7% GAME 7/ 15 46.7%

OFFICIALS: Charles Kirk, Ancie Casey, H. Finley-Alt.

SCORE BY PERIODS

Technical:

HOLY CROSS(COVINGTON 13 12 13 28 = 66

HOLY CROSS(COVINGTON Bench - 1;

TATES CREEK 13 22 17 19 = 71

Attendance: 15,640

COMMENTS: POINTS OFF TURNOVERS
 HOLY CROSS(COVINGTON 11 TATES CREEK

17 SECOND CHANCE POINTS
 HOLY CROSS(COVINGTON 7 TATES CREEK

14

HOLY CROSS (COVINGTON) "Indians" vs TATES CREEK "Commodores"
1st Half Play by Play

PAGE : 1

Tip off at 10:00 a.m. on 03/16/91 at Lexington, Ky.
Produced by the University of Kentucky Stat Crew with FINAL III - a Product of LEXICON

Player	Team	TATES CREEK	Time	Score	HOLY CROSS (COVINGTON)	Player	Team
Horn, Darrin, Stuart, John M., Henderson, Bill, Willard, Keith, Boone, Robbie					Houston, Todd, Cliff, Todd, McClendon, Andre, Goetz, Erik, Saalfeld, Brad		
Ball to Commodores							
1-1	100%	1-1	100%	Driving Layup by Henderson, Bill	1	7:19	*2-0
1		1		Assist by Boone, Robbie			
1-1	100%	2-2	100%	18 ft Circle Jump shot by Horn, Darrin	1	6:41	*4-0
REB: 2 A: 1 BLK: 0 TO: 0 PF: 0					1 6:38		
S: 0 FT: 0-0 00.0% FG: 2-2 100%					T I M E - O U T HOLY CROSS (COVINGTON) No. 1		
					REB: 0 A: 0 BLK: 0 TO: 0 PF: 0		
					S: 0 FT: 0-0 00.0% FG: 0-2 00.0%		
					1 6:38 Sub In: Miller, Corey Out: Cliff, Todd		
1	1	Foul on Boone, Robbie			1	5:54	
1	2	Foul on Horn, Darrin			1	5:26	
					1 5:00 4-2* 6 ft Lane Jump shot by McClendon, Andre		
					Assist by Goetz, Erik		
					1 4:29 Foul on Goetz, Erik		
2-2	100%	3-5	60.0%	Driving Layup by Horn, Darrin	1	4:22	*6-2
					1 4:00 6-4* Driving Layup by Houston, Todd		
					Assist by Miller, Corey		
					1 3:25		
3-4	75.0%	4-8	50.0%	7 ft Lane Bank by Horn, Darrin	1	2:45	*8-4
2		4		Foul on Henderson, Bill	1	2:35	
					1 2:35		
					1 2:35 8-6* Houston, Todd 2 Free Throws - made both		
					1 2:35 *11-6		
1-3	33.3%	5-9	55.5%	3 pt 22 ft Right Side Jump shot by Boone, Robbie	2-2	100%	2-2 100%
1		2		Assist by Horn, Darrin			
					1 1:50 11-8* 6 ft Left Side Turnaround by McClendon, Andre		
					Assist by Miller, Corey		
					2-4 50.0% 3-8 37.5%		
					1 1:31 11-11* 3 pt 21 ft Right Angle Jump shot by Houston, Todd		
					Assist by Saalfeld, Brad		
					2-4 50.0% 4-9 44.4%		
					1 0:45 11-13* Driving Layup by Houston, Todd		
					3-5 60.0% 5-10 50.0%		
1-1	100%	6-12	50.0%	7 ft Left Side Driving by Willard, Keith	1	0:30	*13-13

HOLY CROSS (COVINGTON) "Indians" vs TATES CREEK "Commodores"
1st Half Play by Play

PAGE : 2

Tip off at 10:00 a.m. on 03/16/91 at Lexington, Ky.
Produced by the University of Kentucky Stat Crew with FINAL III - a Product of LEXI

Player	Team	TATES CREEK	Time	Score	HOLY CROSS (COVINGTON)	Player	Team
Burchett, Paul, Wells, Brian, Stuart, John M., Willard, Keith, Horn, Darrin							
Ball to Commodores							
1-1	100%	7-15 46.6%			Follow Tip by Wells, Brian		
4-5	80.0%	8-16 50.0%			13 ft Right Angle Jump shot by Horn, Darrin		
1		3			Assist by Burchett, Paul		
1		5			Foul on Wells, Brian		
1-3	33.3%	9-18 50.0%			Follow Layup by Stuart, John M.		
Sub In: Boone, Robbie Out: Willard, Keith							
1-3	33.3%	10-19 52.6%			13 ft Left Angle Jump shot by Burchett, Paul		
2		4			Assist by Boone, Robbie		
REB: 8 A: 4 BLK: 0 TO: 1 PF: 5							
S: 3 FT: 0-0 00.0% FG: 10-19 52.6%							
T I M E - O U T							
HOLY CROSS (COVINGTON) No. 2							
REB: 7 A: 5 BLK: 0 TO: 5 PF: 2							
S: 0 FT: 2-2 100% FG: 6-12 50.0%							
2-2	100%	11-21 52.3%			Follow Layup by Wells, Brian		
1-1	100%	1-1 100%			Wells, Brian 1 Free Throw - made		
2-7	28.5%	12-22 54.5%			Fast Break Layup by Boone, Robbie		
2		5			Assist by Horn, Darrin		
2		6			Foul on Wells, Brian		
Sub In: Henderson, Bill Out: Wells, Brian							
3-8	37.5%	13-23 56.5%			3 pt 23 ft Left Angle Jump shot by Boone, Robbie		
3		6			Assist by Horn, Darrin		
Sub In: Willard, Keith Out: Burchett, Paul							
Sub In: O'Bryan, Chris Out: Stuart, John M.							
2-2	100%	14-25 56.0%			16 ft Left Angle Jump shot by Willard, Keith		
Sub In: Stuart, John M. Out: Horn, Darrin							
3-3	100%	15-26 57.6%			Driving Layup by Willard, Keith		
Sub In: Horn, Darrin Out: Henderson, Bill							
4-5	80.0%	16-28 57.1%			9 ft Lane Jump shot by Willard, Keith		
1		7			Foul on Willard, Keith		
2			2	7:46	*15-13		
			2	7:29		Houston, Todd, Goetz, Erik, Saalfeld, Brad, McClendon, Andre, Miller, Corey	
			2	7:15	*17-13		
			2	6:40			
			2	6:21	17-15* Layup Alley Oop by McClendon, Andre	3-5 60.0%	6-12 50.0%
					Assist by Miller, Corey	3	5
			2	6:04	*19-15		
			2	5:56			
			2	5:56	*21-15		
			2	5:36			
			2	5:06	21-17* Driving Layup by McClendon, Andre	4-6 66.6%	7-13 53.8%
					Assist by Houston, Todd	1	6
			2	4:35	*23-17		
			2	4:34			
			2	4:34	*24-17		
			2	4:23	*26-17		
			2	4:04			
			2	4:03			
			2	4:03	26-18* Miller, Corey 2 Free Throws - missed 1st made 2nd	1-2 50.0%	3-4 75.0%
			2	3:41	*29-18		
			2	3:09			
			2	3:09			
			2	3:09			
			2	2:49	*31-18		
			2	2:27			
			2	2:19	31-20* Follow Layup by McClendon, Andre	5-8 62.5%	8-18 44.4%
			2	2:07	*33-20		
			2	1:28			
			2	1:28			
			2	1:04	33-22* 6 ft Lane Reverse Lay Up by McClendon, Andre	6-9 66.6%	9-19 47.3%
			2	0:39		1	5
			2	0:20	*35-22		
			2	0:05			
			2	0:05	35-23* Miller, Corey 2 Free Throws - made 1st missed 2nd	2-4 50.0%	4-6 66.6%
			2	0:03	35-25* 2 ft Lane Follow by McClendon, Andre	7-10 70.0%	10-20 50.0%

OFFICIAL NCAA BASKETBALL BOX SCORE: * OFFICIAL FIRST HALF *
 Date: 03-16-91 Site:Lexington, Ky.

VISITORS (Last Name, First)

NO.	HOLY CROSS (COVINGTO)	Tot FG		3-POINT		FT	FTA	Rebounds			PF	TP	A	TO	BLK	S	TIME	
		FG	FGA	FG	FGA			OFF	DEF	TOT								
23	Houston, Todd	3	7	1	5	2	2	1	1	2	0	9	1	2	0	0	16:00	
33	Cliff, Todd	0	0	0	0	0	0	0	0	0	0	0	0	0	0	0	1:22	
41	McClendon, Andre	7	10	0	0	0	0	2	3	5	1	14	0	1	0	0	16:00	
25	Goetz, Erik	0	1	0	1	0	0	0	0	0	2	0	1	5	0	0	16:00	
35	Saalfeld, Brad	0	1	0	0	0	0	1	1	2	1	0	1	0	0	0	12:51	
15	Miller, Corey	0	0	0	0	2	4	0	0	0	1	2	3	0	0	1	14:38	
31	Hungler, Denny	0	1	0	0	0	0	0	1	1	0	0	0	0	0	0	3:09	
TEAM REBOUNDS (INCLUDED IN TOTALS)								1										
TOTALS		10	20	1	6	4	6	4	7	11	5	25	6	8	0	1	80	

TOTAL FG 1st HALF 5/11 45.5% 2nd HALF 5/9 55.6% GAME 10/20 50.0% DEADBALL
 3-POINT FG 1st HALF 1/5 20.0% 2nd HALF 0/1 0.0% GAME 1/6 16.7% REBOUNDS 1
 FREE THROWS 1st HALF 2/2 100.0% 2nd HALF 2/4 50.0% GAME 4/6 66.7%

HOME (Last Name, First)

NO.	TATES CREEK	Tot FG		3-POINT		FT	FTA	Rebounds			PF	TP	A	TO	BLK	S	TIME	
		FG	FGA	FG	FGA			OFF	DEF	TOT								
03	Horn, Darrin	4	5	0	1	0	0	0	2	2	1	8	3	0	0	0	15:01	
30	Stuart, John M.	1	3	0	1	0	0	1	0	1	0	2	0	0	0	2	15:18	
14	Henderson, Bill	1	1	0	0	0	0	1	4	5	2	2	0	1	0	0	8:00	
20	Willard, Keith	4	5	0	0	0	0	0	0	0	1	8	0	0	0	0	13:13	
23	Boone, Robbie	3	9	2	6	0	0	1	0	1	1	8	2	2	0	2	13:56	
44	Wells, Brian	2	2	0	0	1	1	2	1	3	2	5	0	0	0	1	6:32	
22	Burchett, Paul	1	3	0	2	0	0	0	0	0	0	2	1	0	0	0	4:51	
33	O'Bryan, Chris	0	0	0	0	0	0	0	0	0	0	0	0	0	0	0	3:09	
TEAM REBOUNDS (INCLUDED IN TOTALS)								5										
TOTALS		16	28	2	10	1	1	5	7	12	7	35	6	3	0	5	80	

TOTAL FG 1st HALF 6/13 46.2% 2nd HALF 10/15 66.7% GAME 16/28 57.1% DEADBALL
 3-POINT FG 1st HALF 1/5 20.0% 2nd HALF 1/5 20.0% GAME 2/10 20.0% Rebounds 0
 FREE THROWS 1st HALF 0/0 0.0% 2nd HALF 1/1 100.0% GAME 1/1 100.0%

OFFICIALS: Charles Kirk, Ancie Casey, H. Finley-Alt.
 Technicals: None

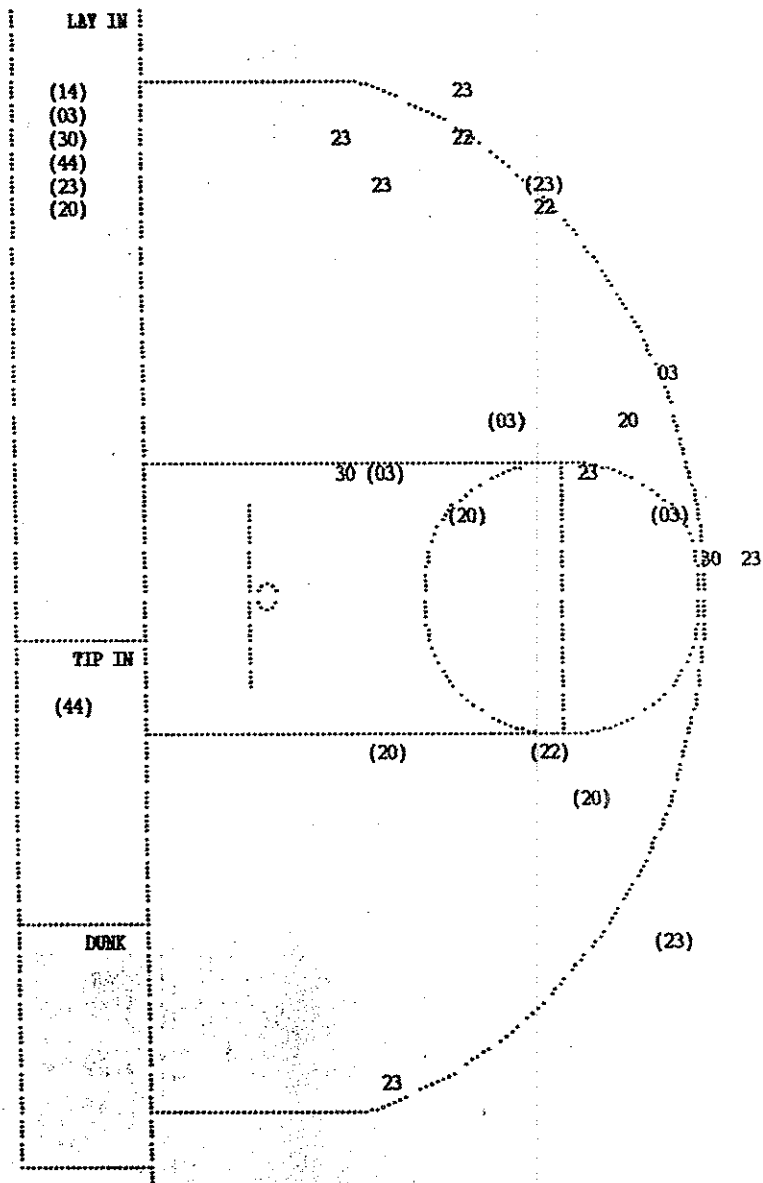
SCORE BY PERIODS

HOLY CROSS (COVINGTO 13 12 = 25
 TATES CREEK 13 22 = 35

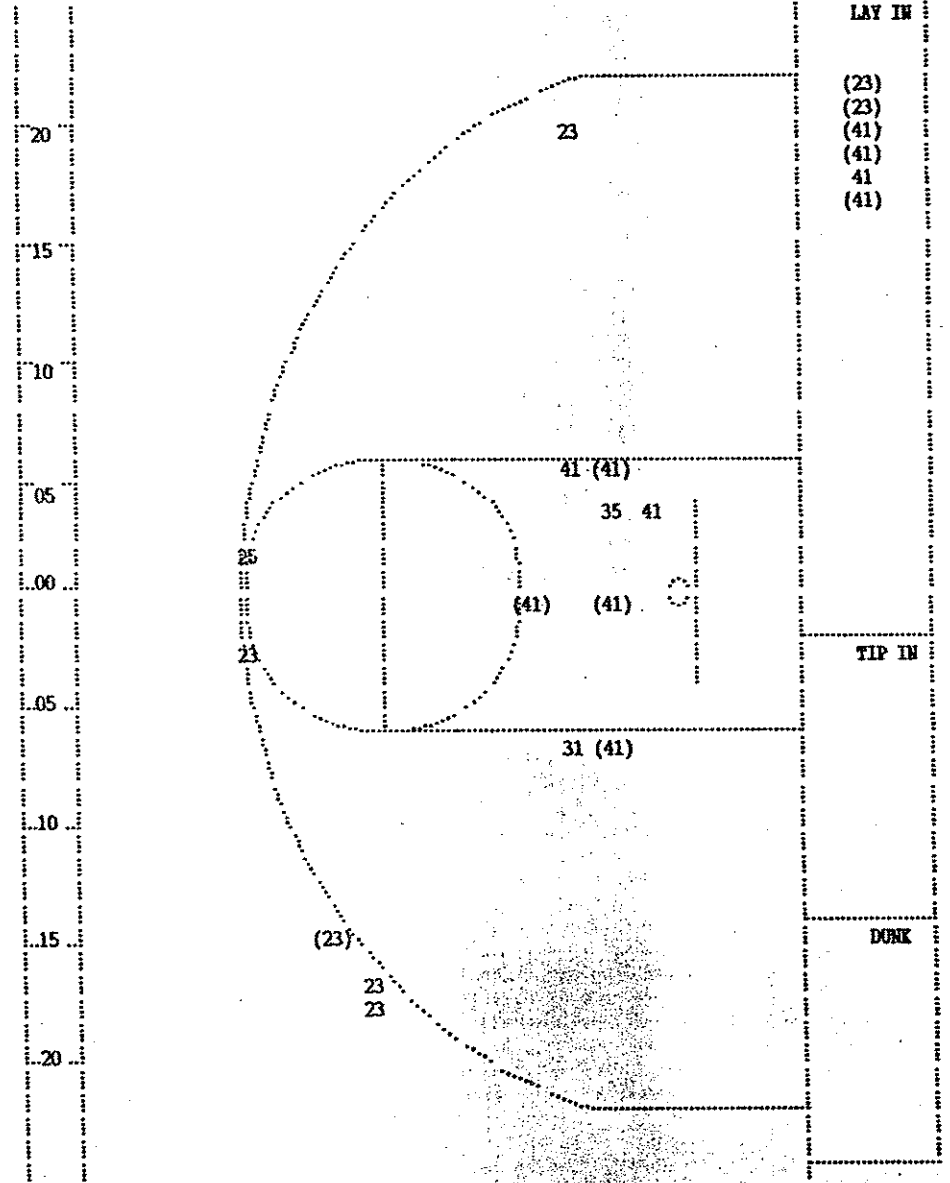
Attendance:

COMMENTS: POINTS OFF TURNOVERS
 HOLY CROSS (COVINGTO 0 TATES CREEK

SECOND CHANCE POINTS
 6 HOLY CROSS (COVINGTO 4 TATES CREEK



TATES CREEK					
Player			Player		
03 - Horn, Darr	4 / 5	80.0%	22 - Burchett,	1 / 3	33.3%
30 - Stuart, Jo	1 / 3	33.3%	44 - Wells, Bri	2 / 2	100.0%
14 - Henderson,	1 / 1	100.0%			
20 - Willard, K	4 / 5	80.0%			
23 - Boone, Rob	3 / 9	33.3%			
Layups	1-9 Ft	10-15 Ft	Over 15 Ft	3 Pointers	Total
7 / 7	3 / 4	2 / 3	2 / 4	2 / 10	16 / 28
100.0%	75.0%	66.7%	50.0%	20.0%	57.1%



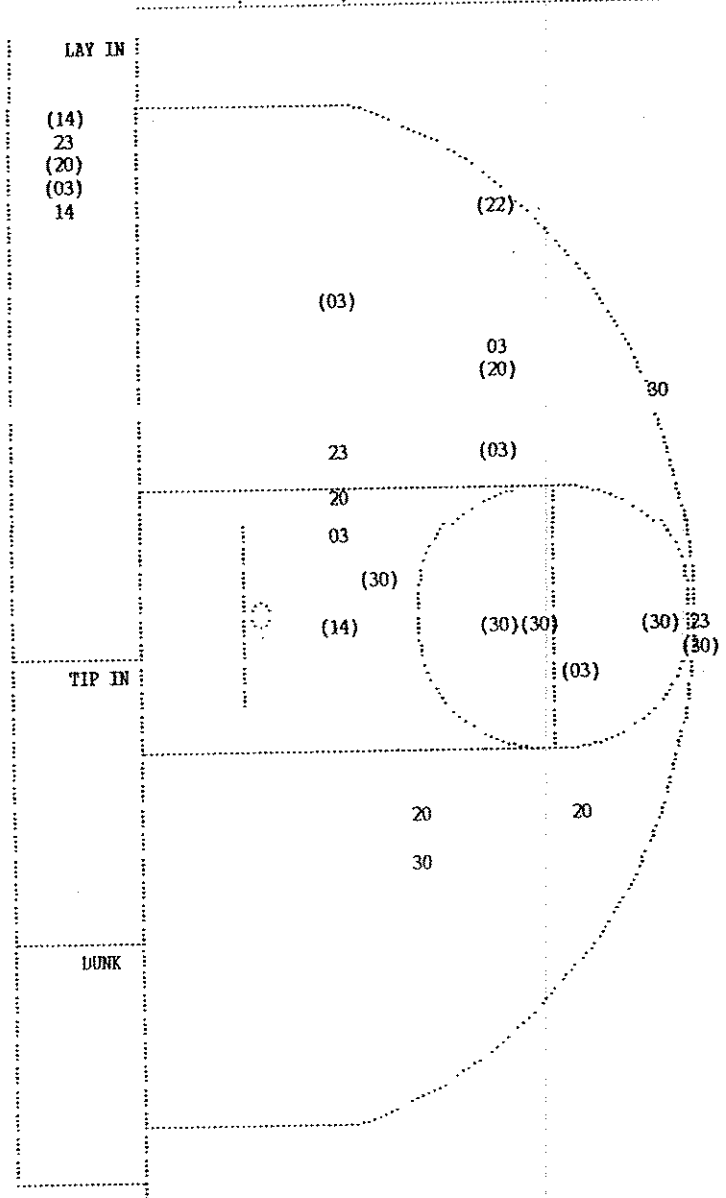
HOLY CROSS (COVINGTON)					
Player			Player		
23 - Houston, T	3 / 7	42.8%			
41 - McClendon,	7 / 10	70.0%			
25 - Goetz, Eri	0 / 1	0.0%			
35 - Saalfeld,	0 / 1	0.0%			
31 - Hangler, D	0 / 1	0.0%			
Layups	1-9 Ft	10-15 Ft	Over 15 Ft	3 Pointers	Total
5 / 6	4 / 8	1 / 6	10 / 20		
83.3%	50.0%	16.7%	50.0%		

HOLY CROSS(COVINGTON) "Indians" vs TATES CREEK "Commodores"
 2nd Half Play by Play

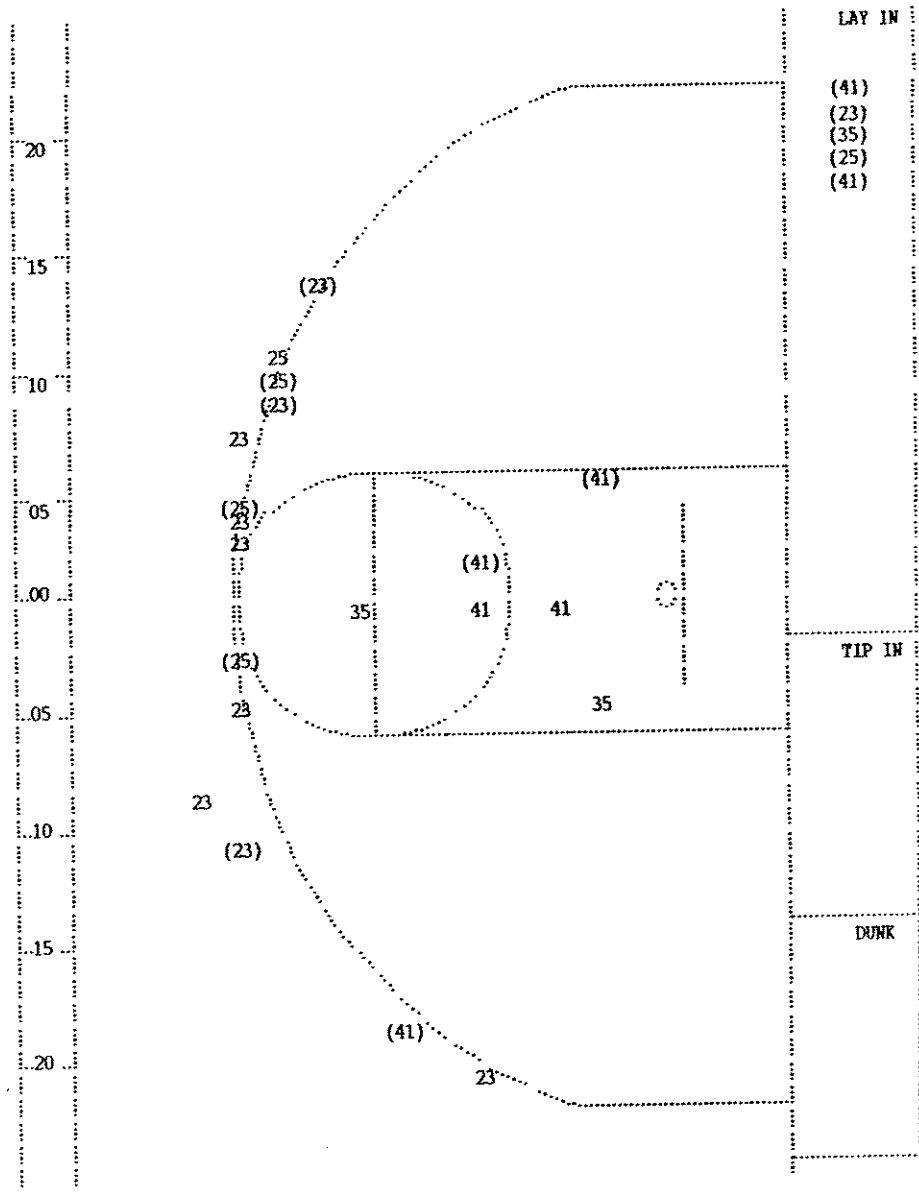
Player	Team	TATES CREEK	Time	Score	HOLY CROSS(COVINGTON)	Player	Team
Horn, Darrin, Stuart, John	M., Henderson, Bill, Willard, Keith	Boone, Robbie			Houston, Todd, Miller, Corey, McClendon, Andre, Goetz, Erik, Saalfeld, Brad		
		Ball to Commodores					
2-2	100%	17-31 54.8%	2 ft Lane Follow by Henderson, Bill	3 7:38	35-27*	Bank Layup by McClendon, Andre	8-11 72.7% 11-21 52.3%
				3 6:32	*37-27	Assist by Goetz, Erik	2 7
				3 6:12	37-30*	3 pt 21 ft Left Angle Jump shot by Goetz, Erik	1-2 50.0% 12-23 52.1%
						Assist by Saalfeld, Brad	2 8
5-6	83.3%	18-32 56.2%	14 ft Lane Jump shot by Horn, Darrin	3 5:57	*39-30		
				3 4:13		Foul on Houston, Todd	1 1
5-6	83.3%	19-35 54.2%	16 ft Right Side Jump shot by Willard, Keith	3 4:13	*41-30		
			Sub In: Burchett, Paul Out: Boone, Robbie	3 3:54			
				3 3:54	41-32*	8 ft Lane Turnaround by McClendon, Andre	9-13 69.2% 13-25 52.0%
						Assist by Goetz, Erik	3 9
3-3	100%	20-37 54.0%	Driving Layup by Henderson, Bill	3 3:15	*43-32		
4	7		Assist by Horn, Darrin				
				3 2:40		Sub In: McClendon, Tony Out: Miller, Corey	
				3 2:40		Sub In: Hungler, Denny Out: Saalfeld, Brad	
				3 2:21		Foul on McClendon, Tony	1 2
2-4	50.0%	21-38 55.2%	3 pt 21 ft Right Side Jump shot by Burchett, Paul	3 2:18	*46-32		
1	8		Assist by Willard, Keith				
2	1		Foul on Willard, Keith	3 1:55			
1	2		Foul on Stuart, John M.	3 1:28			
			Sub In: Wells, Brian Out: Henderson, Bill	3 1:28			
				3 1:28	46-33*	McClendon, Andre 2 Free Throws - made 1st missed 2nd	1-2 50.0% 5- 8 62.5%
2-6	33.3%	22-39 56.4%	3 pt 20 ft Circle Jump shot by Stuart, John M.	3 1:13	*49-33		
2	9		Assist by Burchett, Paul				
				3 0:57	49-36*	3 pt 22 ft Right Side Jump shot by McClendon, Andre	10-15 66.6% 14-28 50.0%
				3 0:43		Foul on Hungler, Denny	1 3
			Sub In: O'Bryan, Chris Out: Stuart, John M.	3 0:41			
6-9	66.6%	23-40 57.5%	13 ft Right Angle Jump shot by Horn, Darrin	3 0:41	*51-36		
3	10		Assist by Burchett, Paul				
2	3		Foul on Horn, Darrin	3 0:08			
				3 0:08	51-38*	McClendon, Andre 2 Free Throws - made both	3- 4 75.0% 7-10 70.0%
				3 0:01		Foul on Houston, Todd	2 4
2- 3	66.6%	2- 3 66.6%	Wells, Brian 2 Free Throws - missed 1st made 2nd	3 0:01	*52-38		

Player	Team	TATES CREEK	Time	Score	HOLY CROSS(COVINGTON)	Player	Team
Wells, Brian, Willard, Keith		Burchett, Paul, Stuart, John M. O'Bryan, Chris			Houston, Todd, Saalfeld, Brad, McClendon, Andre, Goetz, Erik, Hungler, Denny		
		Ball to Commodores	4 7:18	52-41*	3 pt 20 ft Circle Jump shot by Goetz, Erik	2-3	66.6% 15-29 51.7%
					Assist by McClendon, Andre	1	10
3-7 42.8% 24-43 55.8%	4	4 ft Lane Driving by Stuart, John M.	4 7:08	*54-41			
2		Foul on Stuart, John M.	4 6:57				
		Sub In: Horn, Darrin Out: O'Bryan, Chris	4 6:52				
		Sub In: Boone, Robbie Out: Willard, Keith	4 6:52				
7-10 70.0% 25-44 56.8%	5	14 ft Right Side Jump shot by Horn, Darrin	4 6:26	54-44*	3 pt 21 ft Left Angle Jump shot by Houston, Todd	4-10	40.0% 16-31 51.6%
1					Assist by Goetz, Erik	4	11
		Foul on Burchett, Paul	4 5:33	*56-44			
		Sub In: Henderson, Bill Out: Wells, Brian	4 5:26	56-46*	Driving Layup by Houston, Todd	5-11	45.4% 17-33 51.5%
		Sub In: Willard, Keith Out: Burchett, Paul	4 5:26				
			4 5:26				
			4 5:26				
			4 5:26	56-47*	Houston, Todd 1 Free Throw - made	3-3	100% 8-11 72.7%
			4 5:12	56-49*	Fast Break Layup by Saalfeld, Brad	1-4	25.0% 18-34 52.9%
					Assist by Goetz, Erik	5	12
						3	5
4-8 50.0% 26-46 56.5%		10 ft Lane Jump shot by Stuart, John M.	4 5:08		Foul on Houston, Todd		
			4 4:47	*58-49			
5-9 55.5% 27-48 56.2%	11	18 ft Circle Jump shot by Stuart, John M.	4 4:16		Foul on Saalfeld, Brad	2	6
2		Assist by Willard, Keith	4 4:15	*60-49			
6-10 60.0% 28-49 57.1%		12 ft Lane Jump shot by Stuart, John M.	4 3:38	*62-49			
		REB: 23 A: 11 BLK: 0 TO: 10 PF: 5	4 3:36		REB: 16 A: 12 BLK: 0 TO: 15 PF: 6		
		S: 9 FT: 2-3 66.6% FG: 28-49 57.1%		HOLY CROSS(COVINGTON) No. 1	S: 2 FT: 8-11 72.7% FG: 18-35 51.4%		
			4 2:54		Foul on Saalfeld, Brad	3	7
2-2 100%	4-5 80.0%	Stuart, John M. 2 Free Throws - made both	4 2:54	*64-49			
			4 2:42	64-51*	Driving Layup by Goetz, Erik	3-4	75.0% 19-36 52.7%
			4 2:13	64-53*	Driving Layup by McClendon, Andre	11-16	68.7% 20-37 54.0%
		Foul on Henderson, Bill	4 2:13				
			4 2:12		McClendon, Andre 1 Free Throw - missed	3-5	60.0% 8-12 66.6%
			4 1:56	64-56*	3 pt 21 ft Left Angle Jump shot by Houston, Todd	6-13	46.1% 21-38 55.2%
					Assist by Goetz, Erik	6	13
6-10 60.0% 29-50 58.0%	12	Fast Break Layup by Willard, Keith	4 1:46	*66-56			
3		Assist by Boone, Robbie					
			4 1:38		Foul on Hungler, Denny	2	8
0-1 00.0%	4-6 66.6%	Henderson, Bill 1 Free Throw - missed	4 1:38				
0-2 00.0%	4-7 57.1%	Henderson, Bill 1 Free Throw - missed	4 1:37				
3	7	Foul on Horn, Darrin	4 1:37				
			4 1:36	66-58*	Saalfeld, Brad 2 Free Throws - made both	2-2	100% 10-14 71.4%
			4 1:34		Foul on Hungler, Denny	3	9
4-4 100%	6-9 66.6%	Stuart, John M. 2 Free Throws - made both	4 1:34	*68-58			
		REB: 25 A: 12 BLK: 0 TO: 12 PF: 7	4 1:34		REB: 16 A: 13 BLK: 0 TO: 16 PF: 9		
		S: 9 FT: 6-9 66.6% FG: 29-50 58.0%		No. 1 TATES CREEK	S: 3 FT: 10-14 71.4% FG: 21-39 53.8%		
8-11 72.7% 30-51 58.8%	13	Fast Break Layup by Horn, Darrin	4 1:17	*70-58			
1		Assist by Henderson, Bill					
			4 1:02	70-60*	6 ft Left Side Turnaround by McClendon, Andre	12-17	70.5% 22-41 53.6%
					Assist by Goetz, Erik	7	14
		REB: 26 A: 13 BLK: 0 TO: 12 PF: 7	4 1:02		REB: 16 A: 14 BLK: 0 TO: 16 PF: 9		
		S: 9 FT: 6-9 66.6% FG: 30-51 58.8%		HOLY CROSS(COVINGTON) No. 2	S: 3 FT: 10-14 71.4% FG: 22-41 53.6%		

Player	Team	TAFES CREEK	Time	Score	HOLY CROSS(COVINGTON)	Player	Team
			4 0:41	70-63*	3 pt 22 ft Right Angle Jump shot by Houston, Todd Assist by Goetz, Erik	7-16 8	43.7% 23-42 54.7% 15
			4 0:40				
		REB: 26 A: 13 BLK: 0 TO: 13 PF: 7 S: 9 FT: 6-9 66.6% FG: 30-51 58.8%			HOLY CROSS(COVINGTON) No. 3		
			4 0:40		REB: 16 A: 15 BLK: 0 TO: 16 PF: 9 S: 3 FT: 10-14 71.4% FG: 23-42 54.7%		
			4 0:40		Technical foul on HOLY CROSS(COVINGTON) BENCH		
			4 0:40		Foul on TEAM	3	10
1- 2	50.0%	7-11 63.6%					
		Horn, Darrin					
		2 Free Throws - missed 1st made 2nd					
			4 0:40	*71-63			
			4 0:33		Foul on Saalfeld, Brad	4	11
0- 2	00.0%	7-13 53.8%					
		Willard, Keith					
		2 Free Throws - missed both					
			4 0:32				
			4 0:25	71-66*	3 pt 20 ft Circle Jump shot by Goetz, Erik Assist by Houston, Todd	4-5 2	80.0% 24-43 55.8% 16
			4 0:18		Foul on Saalfeld, Brad	5	12
			4 0:18		Sub In: Cliff, Todd Out: Saalfeld, Brad		
0- 4	00.0%	7-15 46.6%					
		Henderson, Bill					
		2 Free Throws - missed both					
3-4	75.0%	30-53 56.6%					
		Follow Follow by Henderson, Bill, missed					
			4 0:00		Rebound by Cliff, Todd	D-1	Tot-1 D-1 Tot-19
			4 0:00		3 pt 21 ft Left Angle Jump shot by Goetz, Erik, missed	4-6	66.6% 24-45 53.3%



TATES CREEK		Player		Player	
Player		Player		Player	
03 - Horn, Darr	4/6 66.6%	22 - Burchett,	1/1 100.0%		
30 - Stuart, Jo	5/7 71.4%				
14 - Henderson,	2/3 66.6%				
20 - Willard, K	2/5 40.0%				
23 - Boone, Rob	0/3 0.0%				
Layups	1-9 Ft	10-15 Ft	Over 15 Ft	3 Pointers	Total
3 / 5	2 / 5	5 / 7	2 / 4	2 / 4	14 / 25
60.0%	40.0%	71.4%	50.0%	50.0%	56.0%



HOLY CROSS(COVINGTON)		Player		Player	
Player		Player		Player	
23 - Houston, T	4/10 40.0%				
41 - McClendon,	5/7 71.4%				
25 - Goetz, Eri	4/5 80.0%				
35 - Saalfeld,	1/3 33.3%				
Layups	1-9 Ft	10-15 Ft	Over 15 Ft	3 Pointers	Total
5 / 5	2 / 5	0 / 1	7 / 14	14 / 25	
100.0%	40.0%	0.0%	50.0%	56.0%	